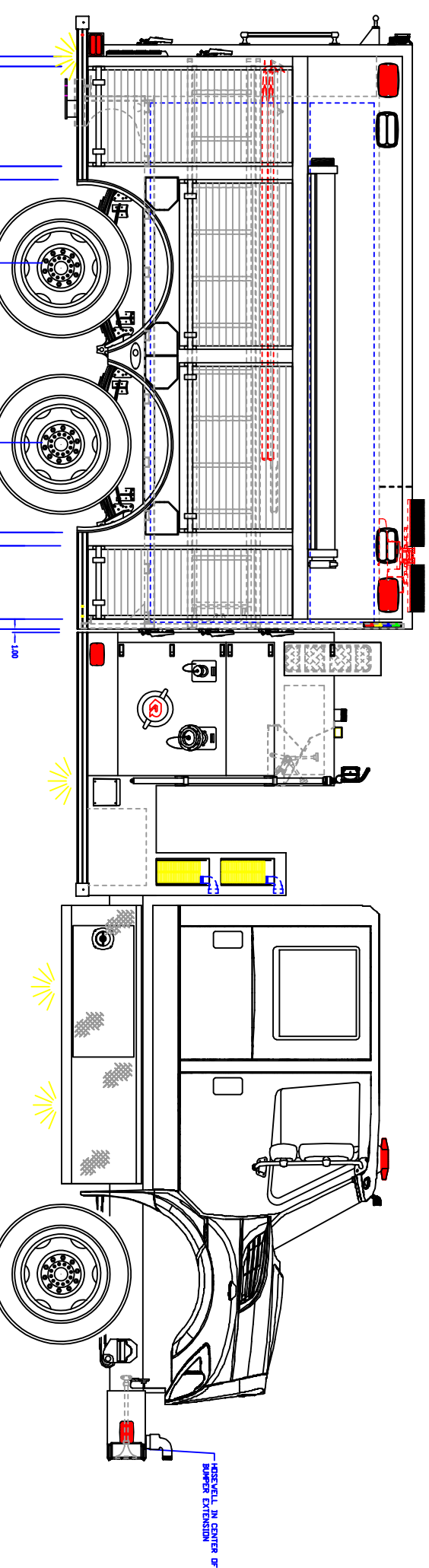
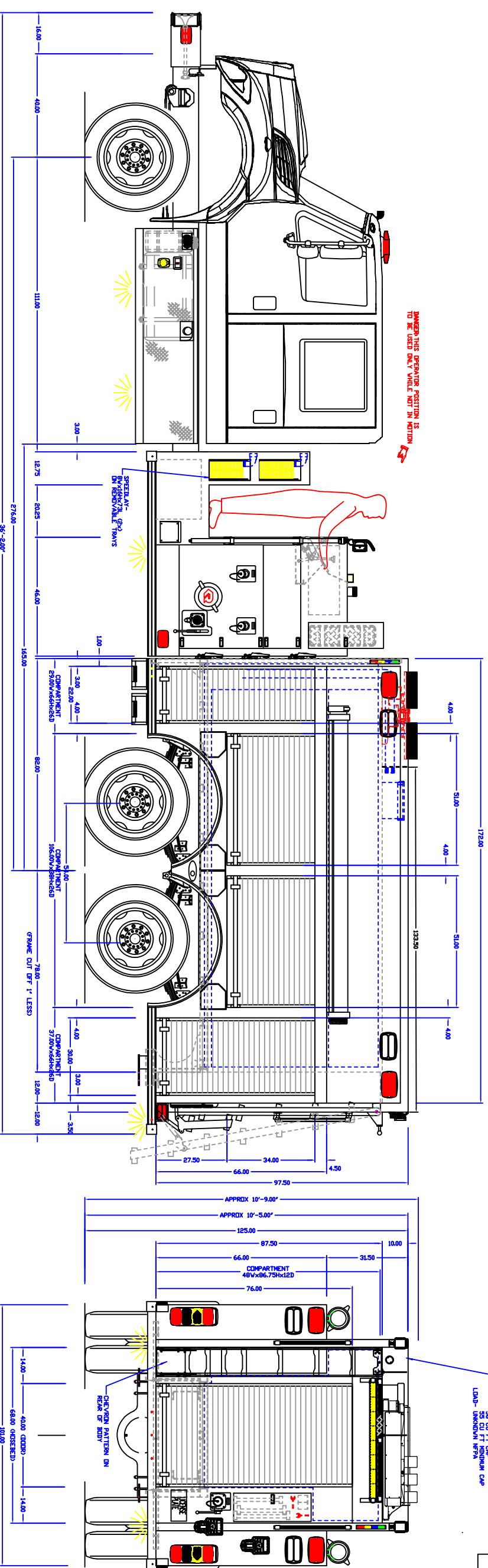


INITIALS: -  
 JOB NUMBER: 22128  
 DATE: -

MAIN FILE: -  
 DEPT: -  
 DEALER: -

**PRODUCTION APPROVED**

RAMPS AND OPERATOR POSITION IS TO BE USED ONLY WHILE NOT IN MOTION



- NOTES:
1. OVERALL HEIGHT IS IN LOADED CONDITION. UNLOADED HEIGHTS MAY BE 4" ABOVE HEIGHTS SHOWN.
  2. DO NOT SCALE DRAWING.
  3. ALL DIMENSIONS ARE APPROXIMATE AND SUBJECT TO ENGINEERING CHANGES.
  4. DRAWING MAY OR MAY NOT SHOW ALL ITEMS AS DESCRIBED IN THE WRITTEN DETAIL SPECIFICATIONS.
  5. INCLUSION OF AN ITEM ON THE DRAWING DOES NOT CONSTITUTE INCLUSION OF THAT ITEM WITH THE FINAL DELIVERED UNIT.
  6. THE EFFECTIVE DOOR OPENINGS WILL BE APPROX. 2" LESS THAN THE NOTED COMPARTMENT OPENING FOR ROLL UP DOORS AND UP TO APPROX. 4" LESS FOR HINGED DOORS

APPROVED BY:

CHASSIS:	NAVISTAR
PUMP:	HALE 1500 GPM
TANK:	POLY/2000
PANEL MATL:	STAINLESS STEEL
COMP INTERIOR:	LINE X
MAXIMUM HEIGHT	NONE
MAXIMUM LENGTH	36'6"
BODY WIDTH	101"

PROPRIETARY AND CONFIDENTIAL  
 THE INFORMATION CONTAINED IN THIS DRAWING IS THE SOLE PROPERTY OF ROSENBAUER. ANY REPRODUCTION IN PART OR AS A WHOLE WITHOUT THE WRITTEN PERMISSION OF ROSENBAUER IS PROHIBITED.

REVISED: WLM DATE: 03-31-21  
 REVISED: WLM DATE: 03-04-21  
 DRAWN: WLM DATE: 02-26-21

**SANTUCK VOL. FIRE DEPT., AL**



ROSENBAUER FX 3/16"  
 santuck, al2